



LE GOUVERNEMENT  
DU GRAND-DUCHÉ DE LUXEMBOURG  
  
Ministère des Transports  
  
L-2938 Luxembourg

SOCIÉTÉ NATIONALE DE  
CERTIFICATION ET D'HOMOLOGATION  
s.à r.l.  
Registre de Commerce: B 27180  
  
L-5201 Sandweiler



Référence: E13\*22R00\*22R05\*9282\*00

Annexes: - Rapport Technique  
- Fiche de Renseignements du constructeur

Sandweiler, le 29 mai 2008

**Communication concernant <sup>(2)</sup>:**

Communication concerning <sup>(2)</sup>:



- la délivrance d'une homologation  
approval granted
- l'extension d'homologation  
approval extended
- le refus d'homologation  
approval refused
- le retrait d'homologation  
approval withdrawn
- l'arrêt définitif de la production  
production definitely discontinued

**d'un type de casque de protection sans / avec / un / plusieurs / type(s) d'écran  
en application du Règlement N°22**  
of a type of protective helmet ~~without~~ / with / one / ~~more~~ / visor type(s) pursuant to regulation N°22

**Homologation N°:**  
Approval number:

E13\*22R00\*22R05\*9282\*00

**Marque(s) d'homologation:**  
Approval mark(s):

**Casque:**  
Helmet:



059282/J-XXXX

**Ecran:**  
Visor:



05 9282  
WL-01

**1. Marque de fabrique ou de commerce:**  
Trade mark:

CNWL

**Marque(s) de commerce:**  
Commercial mark(s):

not applicable

**2. Type:**  
Type:

WL-201

**Dénomination(s) commerciale(s):**  
Commercial description(s):

not applicable



3. **Tailles:**  
Sizes: XS 54, S 56, M 58, L 60, XL 61.
4. **Nom du fabricant:**  
Manufacturer's name: Zhejiang Wanlong Plastics Co., Ltd.
5. **Adresse du fabricant:**  
Address of manufacturer: Niubidong, Yuecheng Town,  
Yueqing City, Zhejiang Province,  
P.R. China
6. **Le cas échéant, nom de son représentant:**  
If applicable, name of manufacturer's representative: not applicable
7. **Adresse du représentant:**  
Address of manufacturer's representative: not applicable
8. **Description sommaire du casque:**  
Brief description of helmet:  
The integral helmet WL-201 is composed of an ABS shell (Acrylonitrile-Butadiene-Styrene.)  
The protective padding is made by one EPS (Expanded Poly Styrene) size liner.  
The adaptation to the different head sizes is done by different thickness of the size liner, and different thickness of the comfort padding.
9. **Casque dépourvu de protection maxillaire (J) muni d'une protection maxillaire intégrale (P) d'une protection maxillaire non intégrale (NP) <sup>(2)</sup>:**  
Helmet without lower face cover (J)  
with protective lower face cover (P)  
with non protective lower face cover (NP) <sup>(2)</sup>: Without protective lower face cover (J)
10. **Type de l'écran ou des écrans:**  
Type of visor or visors: WL-01
11. **Description sommaire de l'écran ou des écrans:**  
Brief description of visor or visors: Clear visor, made of polycarbonate (PC) with hardened coating on the surface, and a thickness of 2,2 mm
12. **Présenté à l'homologation le:**  
Submitted for approval on: 09.05.2008
13. **Autorité déléguée:**  
Assigned authority: Société Nationale de Certification et d'Homologation  
L-5201 Sandweiler
- Service technique chargé des essais d'homologation:**  
Technical service responsible for conducting approval tests: TÜV Rheinland Luxembourg GmbH  
2a, Kalchesbruck  
L-1852 Luxembourg
14. **Date du procès-verbal délivré par ce service:**  
Date of report issued by that service: 29.05.2008
15. **Numéro du procès-verbal délivré par ce service:**  
Number of report issued by that service: 85-R22-393/08
16. **Remarques:**  
Comments: not applicable



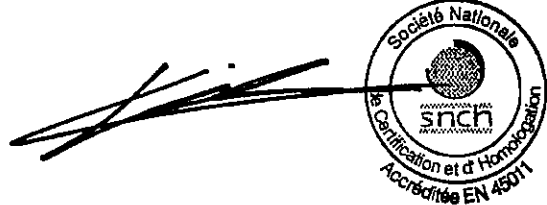
17. **Homologation** <sup>(2)</sup>:  
Approval <sup>(2)</sup>: granted / extended / refused / withdrawn
18. **Lieu**:  
Place: Sandweiler
19. **Date**:  
Date: 29 mai 2008
20. **Signature**:  
Signature:

Pour le Ministre des Transports

Pour la SNCH



Handwritten signature of Marco FELTES in black ink.



Marco FELTES  
Inspecteur Principal

Claude LIESCH  
Conseiller de Direction

21. **Les documents suivants portant le numéro d'homologation indiqué ci-dessus peuvent être obtenus sur demande:**  
The following documents, bearing the approval number shown above, are available on request:

see: INDEX to TYPE-APPROVAL REPORT

**Modifications faisant l'objet de la présente extension:**  
**Reason for extension:**

*not applicable*



(2) **Biffer les mentions inutiles.**  
Strike out what does not apply.



LE GOUVERNEMENT  
DU GRAND-DUCHÉ DE LUXEMBOURG

Ministère des Transports

L-2938 Luxembourg

SOCIÉTÉ NATIONALE DE  
CERTIFICATION ET D'HOMOLOGATION

s.à.r.l.

Registre de Commerce: B 27180

L-5201 Sandweiler



Référence: E13\*22R00\*22R05\*9282\*00

Annexes: - Rapport Technique  
- Fiche de Renseignements du constructeur

Sandweiler, le 29 mai 2008

## INDEX DU DOSSIER D'HOMOLOGATION INDEX TO TYPE-APPROVAL

	<b>Numéro d'homologation:</b> Approval number:	E13*22R00*22R05*9282*00
	<b>Révision:</b> Revision:	00
	<b>Marque de fabrique ou de commerce:</b> Trade name or mark:	CNWL
	<b>Type:</b> Type:	WL-201
1.	<b>Procès-verbal d'essai:</b> Test report:	N° 85-R22-393/08
	- Technical report:	Pages 1 to 4;
	- List of modifications:	Page 5;
	- Technical information:	Page 6;
	- Test minutes:	Pages 7 to 14.
2.	<b>Dossier du constructeur:</b> Report of the manufacturer:	N° CNWL-WL-201-00
	- Index to the information folder:	Refer to content of manufacturer's information document, page 1
3.	<b>Autres documents annexés:</b> Other documents annexed:	not applicable
4.	<b>Date de délivrance de l'homologation initiale:</b> Date of issue of initial type approval:	29.05.2008
5.	<b>Date de la dernière délivrance de pages révisées:</b> Date of last issue of revised pages:	not applicable
6.	<b>Date de la dernière délivrance d'une homologation révisée:</b> Date of last extension:	not applicable



## TEST REPORT

according with ECE-Regulation

**Protective helmets and their visors for drivers and passengers of  
motor cycles and mopeds**

### ECE-R22

including all amendments

**Amend. 05, Corr. 3, Suppl. 1**

Previously granted
--------------------

ECE – approval	:	---
----------------	---	-----

Structure of report :

0. General
1. Test object(s)
2. Test minutes
3. Comments to test object
4. Appendices
5. Statement of conformity

E13\*22R00\*22R05\*9282\*00

Société Nationale de Certification et d'Homologation

L-5201 SANDWEILER (Luxembourg)

Organisme accrédité OLAS EN 45011

Accréditation N° 5/001 (Portée communiquée sur demande)

Manufacturer : Zhejiang Wanlong Plastics Co., Ltd.  
Type : WL-201

**0. General**

- 0.1. Trade name or mark : CNWL  
Commercial mark(s) : ---
- 0.2. Type : WL-201  
Commercial description(s) : ---
- 0.3. Helmet category : J (acc. 5.1.4.1.2.1 of ECE-R22.05)
- 0.4. Name and address of the manufacturer : Zhejiang Wanlong Plastics Co., Ltd.  
Niubidong, Yuecheng Town,  
Yueqing City, Zhejiang Province,  
P.R. China  
of the authorized representative : Not applicable
- 0.5. Number of information folder : CNWL-WL-201-00  
Date : May 10, 2008  
Revision status : not applicable

**1. Test object(s)**

1.1. Description

Identification number : Prototype, marking after granting ECE-approval  
Type : WL-201

- 1.1.1. Structure of the helmet : The integral helmet WL-201 is composed of ABS shell (Acrylonitrile-Butadiene-Styrene).  
E13\*22R00\*22R05\*9282\*00  
The protective padding is made of one EPS (Expanded Poly Styrene) size liner.  
Société Nationale de Certification et d'Homologation  
L-5201 SANDWEILER (Luxembourg)  
Organisme accrédité OLAS EN 45011  
The adoption to the different head sizes is done by different thickness of the size liner, and different thickness of the comfort padding.  
Accréditation N° 5/001 (Portée communiquée sur demande)
- 1.1.2. Structure of visor : Clear visors, made of Polycarbonate (PC) with hardened coating on the surface, and a thickness of 2.2 mm.

Manufacturer : Zhejiang Wanlong Plastics Co., Ltd.  
Type : WL-201

- 1.1.3 List of parts : See information document of the manufacturer
- 1.1.4 Location of the marking : The ECE-label is sewed on the chinstrap.
- 1.1.5. Helmet sizes : XS 54, S 56, M 58, L 60, XL 61
- 1.1.6. material of the outer shell : ABS (Acrylonitrile-Butadiene-Styrene)
- 1.1.7. material of the visor : Polycarbonate (PC)
- 1.1.8. marking of the visor : Approval marking  
WL-01
- 1.2. Remarks : Without

## 2. Test minutes

- 2.1. Test equipment : The measurement equipment used was in compliance with the test requirements.
- 2.2. Test results
- 2.2.1. Summary of test results : See test minutes Appendix 1
- 2.3. General information about the tests
- 2.3.1. Test object received on : May 09, 2008
- 2.3.2. Test date : May 09, 2008
- 2.3.3. Test site : TÜV Rheinland (Guangdong) Ltd.  
Guangzhou Helmet Laboratory  
Guangzhou Auto Market  
Yuan Gang Section of Guangshan Road  
Guangzhou 510650, P.R. China
- 2.3.4. Remark : The results of the test refer exclusively to the object(s) mentioned at point 1 of this report.

E13\*22R00\*22R05\*9282\*00

Société Nationale de Certification et d'Homologation

L-5201 SANDWEILER (Luxembourg)

Organisme accrédité OLAS EN 45011

Accréditation N° 5/001 (Portée communiquée sur demande)

3. **Comments to the test object** : ---

4. **Appendices**

0 List of modifications

L Technical description of type and communication concerning the ECE-approval

1 Test minutes : Appendix 1

Information folder : CNWL-WL-201-00 (16 pages)

5. **Statement of conformity**

The information folder and the type described there comply with the requirements in the above mentioned directive/regulation.

The technical report comprises - including appendices 0 to 1 – the pages 1 to 14 and shall not be reproduced except in full without the written approval of the testing laboratory.

Luxembourg, May 29, 2008  
OR/TYY



Dipl.-Ing. O. Rothert



List of modifications

Appendix 0

Correction of	:	---
Modification of	:	---
Addition of	:	---
Deletion of	:	---

Manufacturer : Zhejiang Wanlong Plastics Co., Ltd.  
Type : WL-201



**Technical description of type and communication concerning the ECE-approval**

**Appendix L**

1. Trade mark : CNWL
  - Commercial mark(s) : ---
  2. Type : WL-201
  - Commercial description(s) : ---
  3. Sizes : XS 54, S 56, M 58, L 60, XL 61
  4. Manufacturer's name : Zhejiang Wanlong Plastics Co., Ltd.
  5. Address : Niubidong, Yuecheng Town,  
Yueqing City, Zhejiang Province,  
P.R. China
  6. If applicable, name of manufacturer's representative : Not applicable
  7. Address : Not applicable
  8. Brief description of helmet : The integral helmet WL-201 is composed of ABS shell (Acrylonitrile-Butadiene-Styrene).  
The protective padding is made of one EPS (Expanded Poly Styrene) size liner.  
The adoption to the different head sizes is done by different thickness of the size liner, and different thickness of the comfort padding.
- E13\*22R00\*22R05\*9282\*00
- Société Nationale de Certification et d'Homologation  
L-5201 SANDWEILER (Luxembourg)  
Organisme accrédité OLAS EN 45011  
Accréditation N° 5/001 (Portée communiquée sur demande)
9. Helmet : Without protective lower face cover (J)
  10. Type of visor or visors : WL-01
  11. Brief description of visor or visors : Clear visors, made of Polycarbonate (PC) with hardened coating on the surface, and a thickness of 2.2 mm.
  12. Submitted for approval on : May 09, 2008
  14. Date of report issued by that service : May 29, 2008

Manufacturer : Zhejiang Wanlong Plastics Co., Ltd.  
Type : WL-201

**1. General**

**Appendix 1**

- 1.1. Make : CNWL
- Commercial mark(s) : ---
- 1.2. Type : WL-201
- Commercial description(s) : ---
- Technical description helmet : The integral helmet WL-201 is composed of ABS shell (Acrylonitrile-Butadiene-Styrene). The protective padding is made of one EPS (Expanded Poly Styrene) size liner. The adoption to the different head sizes is done by different thickness of the size liner, and different thickness of the comfort padding.
- Technical description visor : Clear visors, made of Polycarbonate (PC) with hardened coating on the surface, and a thickness of 2.2 mm.
- 1.3. Name and address of manufacturer : Zhejiang Wanlong Plastics Co., Ltd.  
Niubidong, Yuecheng Town,  
Yueqing City, Zhejiang Province,  
P.R. China
- 1.4. Name and address of manufacturer's authorized representative : Not applicable

**2. General arrangement of the helmet**

- 2.1. General requirements : The requirements of the covered zones are fulfilled for all helmet-sizes. There are projections of the outer shell, greater than 2 mm. All external projections have a radius  $\geq 1$  mm, respectively  $\geq 2$  mm for external projections which are more than 2 mm above the outer shell. The here described parts are rounded and konvex to the outer shell surface. The outer shell is smooth in the meaning of the requirement. Under a load of 150 N the width of the chin strap is  $\geq 20$  mm. The chin strap is covered with an additional comfort padding.

The helmet is equipped with automatic buckle.  
The free end of the chin strap is adjusted.  
Means are provided to prevent the retention system being completely undone.

Manufacturer-information about size and weight are located on the outer shell by adhesive label(s). Additional consumer information, in accordance to the ECE-R22, is given by the owners manual, which is enclosed to the offered helmet.

The helmet is not equipped with retro reflective parts in accordance to the item 6.16 of the ECE-R22.

2.2. Shock-absorption-tests

: The determined values of acceleration were below the limit of 275g at an impact speed of 7,5 m/s (esp. 5,5 m/s at point S). The HIC-values were below the limit of 2400.

helmet size : XS 54  
test-head-size : 54  
anvil : Flat (Helm. 1), Kerbstone (Helm. 2)

Conditioning	Impact point	Res. acceleration [g]	HIC [-]
Helmet 1 Low Temp. (-20°C)	B	196	1662
	X	256	1623
	P	185	1652
	R	211	1642
	S	---	---
Helmet 2 High Temp. (+50°C)	B	151	1172
	X	143	1113
	P	144	1200
	R	173	1271
	S	---	---

E13\*22R00\*22R05\*9282\*00

Société Nationale de Certification et d'Homologation

L-5201 SANDWEILER (Luxembourg)

Organisme accrédité OLAS EN 45011

Accréditation N° 5/001 (Portée communiquée sur demande)

Manufacturer : Zhejiang Wanlong Plastics Co., Ltd.  
Type : WL-201

helmet size : S 56  
test-head-size : 54  
anvil : Flat (Helm. 3), Kerbstone (Helm. 4)

Conditioning	Impact point	Res. acceleration [g]	HIC [-]
Helmet 3	B	195	1596
Low Temp. (-20°C)	X	221	1689
	P	191	1708
	R	203	1642
	S	---	---
	Helmet 4	B	150
High Temp. (+50°C)	X	149	1074
	P	141	1251
	R	170	1264
	S	---	---

helmet size : M 58  
test-head-size : 57  
anvil : Flat (Helm. 5), Kerbstone (Helm. 6)

Conditioning	Impact point	Res. acceleration [g]	HIC [-]
Helmet 5	B	207	1455
Low Temp. (-20°C)	X	268	1562
	P	192	1903
	R	216	1693
	S	---	---
	Helmet 6	B	147
High Temp. (+50°C)	X	141	971
	P	138	1069
	R	150	1085
	S	---	---

E13\*22R00\*22R05\*9282\*00

Société Nationale de Certification et d'Homologation

L-5201 SANDWEILER (Luxembourg)

Organisme accrédité OLAS EN 45011

Accréditation N° 5/001 (Portée communiquée sur demande)

Manufacturer : Zhejiang Wanlong Plastics Co., Ltd.  
Type : WL-201

helmet size : L 60  
test-head-size : 60  
anvil : Flat (Helm. 7), Kerbstone (Helm. 8)

Conditioning	Impact point	Res. acceleration [g]	HIC [-]
Helmet 7 Low Temp. (-20°C)	B	216	1775
	X	263	1692
	P	210	2365
	R	206	1666
	S	---	---
Helmet 8 High Temp. (+50°C)	B	148	1142
	X	239	1610
	P	138	882
	R	185	1350
	S	---	---

helmet size : XL 61  
test-head-size : 60  
anvil : Flat (Helm. 9), Kerbstone (Helm. 10)

Conditioning	Impact point	Res. acceleration [g]	HIC [-]
Helmet 9 Low Temp. (-20°C)	B	217	1865
	X	242	1687
	P	190	963
	R	258	2089
	S	---	---
Helmet 10 High Temp. (+50°C)	B	154	1213
	X	177	1320
	P	137	861
	R	189	1352
	S	---	---

E13\*22R00\*22R05\*9282\*00

Société Nationale de Certification et d'Homologation

L-5201 SANDWEILER (Luxembourg)

Organisme accrédité OLAS EN 45011

Accréditation N° 5/001 (Portée communiquée sur demande)

Manufacturer : Zhejiang Wanlong Plastics Co., Ltd.  
Type : WL-201

helmet size : XL 61  
test-head-size : 60  
anvil : Flat (Helm. 11), Kerbstone (Helm. 12)

Conditioning	Impact point	Res. acceleration [g]	HIC [-]
Helmet 11	B	195	1613
Ambient	X	240	1913
	P	211	2312
	R	208	1702
	S	---	---
	Helmet 12	B	158
Ambient	X	179	1381
	P	138	897
	R	171	1268
	S	---	---

### 2.3. Dynamical Test of the retention system

Helmet size	XS 54	Limits
Test head size	54	
Dynamic movement (mm)	32.60	≤ 35 mm
Permanent movement after 2 min. (mm)	17.90	≤ 25 mm

### 2.4. Test of field of vision

Helmet size	XS 54	Limits
Test head size	54	
Vertical angle of vision (°)		
Upwards	7	≥ 7°
Downwards	≥ 45°	≥ 45°
Horizontal angle of vision (°) E13*22R00*22R05*9282*00	214	≥ 210°

Société Nationale de Certification et d'Homologation

L-5201 SANDWEILER (Luxembourg)

Organisme accrédité OLAS EN 45011

Accréditation N° 5/001 (Portée communiquée sur demande)

2.5. Rigidity-test

Helmet size	XL 61	Limits
Deformation under load (mm)		
Along the longitudinal axis	11.0	≤ 40 mm
Along the transversal axis	8.0	≤ 40 mm
Permanent deformation after 5 min		
Along the longitudinal axis	8.0	≤ 15 mm
Along the transversal axis	5.0	≤ 15 mm

E13\*22R00\*22R05\*9282\*00  
Société Nationale de Certification et d'Homologation  
L-5201 SANDWEILER (Luxembourg)  
Organisme accrédité OLAS EN 45011  
Accréditation N° 5/001 (Portée communiquée sur demande)

2.6. Retention (detaching) test

Helmet size	XS 54	Limits
Test head size	54	
Movement of the reference line (°)	27	≤ 30°

2.7. Chin strap and buckle test

1.	Operation force of the automatic buckle according 7.11.2. Measured at static load of 150 N	
Helmet size	XS 54	Limits
Test head size	54	
Opening force (N)	WL-02 buckle: < 30 N	≤ 30 N
2.	Resistance of the automatic buckle according 7.11.2. The load of 2000 N at the automatic buckles made no fracture or disengage. After the test the automatic buckle was still be capable of operation.	
3.	Microslip-test of the chin strap according 7.9	
	WL-02 buckle: < 5 mm	≤ 10 mm
4.	Abrasion test the chin strap according 7.10. Not necessary in acc. with 7.10 (a), because the movement of the chin strap after 500 cycles was less than 5 mm	



Manufacturer : Zhejiang Wanlong Plastics Co., Ltd.  
Type : WL-201

2.8. Shear assessment test for projections or irregularities in the outer surface according 7.4.2

Helmet size	XL 61	
Test head size	60	
	Test with positive result at the following points of the outer shell:	
1.	Visor fixing point sliding tangential at the projection	Positive

2.9. Test for friction assessment in acc. with 7.4.2

	The requirements are fulfilled.
--	---------------------------------

E13\*22R00\*22R05\*9282\*00  
Société Nationale de Certification et d'Homologation  
L-5201 SANDWEILER (Luxembourg)  
Organisme accrédité OLAS EN 45011  
Accréditation N° 5/001 (Portée communiquée sur demande)

2.10. Visor tests

1. Mechanical characteristics in acc. to 7.8.2

Helmet size	XL 61
Test head size	60
Conditioning of the visor	Low temp. (-20 °C)
Visor test piece 1	positive, no penetration, no sharp splinter
Visor test piece 2	positive, no penetration, no sharp splinter
Visor test piece 3	positive, no penetration, no sharp splinter

2. Optical characteristics and scratch resistance in acc. to 7.8.3

Test equipment:

a) Abrasion test in accordance to annex 10 of ECE R 22.05

Luminous Transmission test in acc. to annex 11 item 2.1 method (c)

Visor test piece 4	> 80%
Visor test piece 5	> 80%
Visor test piece 6	> 80%

\*) the visor is marked with the sentence / Sun symbol: „Daytime use only“.

b) Light diffusion before abrasion test (Item 7.8.3.1.3.2)

≤ 0,65 cd/m<sup>2</sup>/l

Visor test piece 4	0.01
Visor test piece 5	0.02
Visor test piece 6	0.16

c) Light diffusion after abrasion test (Item 7.8.3.1.3.5)		$\leq 5,0 \text{ cd/m}^2/\text{l}$
Visor test piece 4		2.47
Visor test piece 5		2.34
Visor test piece 6		1.08

d) Spectral transmittance (Item 7.8.3.2.1.1.): $\tau_v$ in 500~650 nm $\geq 0.2\tau_v$			
	$\tau_v$	$\tau_v$ in 500~650 nm	$0.2\tau_v$
Visor test piece 4	0.910	0.903	0.18
Visor test piece 5	0.920	0.916	0.18
Visor test piece 6	0.910	0.907	0.18

e) Refractive powers (Item 6.15.3.8)					
	Spherical effect [m <sup>-1</sup> ]	Astigmatic effect [m <sup>-1</sup> ]	Horizontal Base [cm/m]		Vertical Base [cm/m]
			Out	In	
Limits	$\leq \pm 0.12$	$\leq 0.12$	$\leq 1.00$	$\leq 0.25$	$\leq 0.25$
Visor test piece 1	0.00	0.09	0.40	--	< 0.1
Visor test piece 2	0.06	0.04	0.40	--	< 0.1
Visor test piece 3	0.00	0.07	0.40	--	< 0.1

f) Recognition of signal lights (Item 6.15.3.6)	
The test is dispensed as the clear visor with luminous transmittance values $\tau_v \geq 80 \%$ .	

g) Mist retardant characteristics (Item 6.15.3.9)	
The specular transmittance had a value $\geq 80\%$ of the initial value 20 seconds after starting the test in accordance with annex 16.	
Not applicable.	

# Zhejiang Wanlong Plastics Co., Ltd.

Information folder No. CNWL-WL-201-00

Application date: May 10, 2008

## Content

DOCUMENT	PAGE
Technical description	2-3
Assembly drawing	4
Material list of parts	5
Helmet section view	6
Impact absorption material thickness	7
Dimension and weight of helmet (tolerances incorporated)	8
EPS details	9
Retention system	10
Retention system, chin strap operation	11
Retention system, position details	12
Drawing and details of visor	13-14
Approval mark(s)	15
Helmet assembly pictures	16

E13\*22R00\*22R05\*9282\*00  
Société Nationale de Certification et d'Homologation  
L-5201 SANDWEILER (Luxembourg)  
Organisme accrédité OLAS EN 45011  
Accréditation N° 5/001 (Portée communiquée sur demande)

Type WL-201

Page 1 of 16

# Zhejiang Wanlong Plastics Co., Ltd.

Information folder No. CNWL-WL-201-00

Application date: May 10, 2008

## INFORMATION DOCUMENT FOR TYPE-APPROVAL OF PROTECTIVE HELMETS AND / OR<sup>1</sup> OF THEIR VISORS FOR DRIVERS AND PASSENGERS OF MOTOR CYCLES AND MOPEDS

1. Make (trade name or mark of the manufacturer) : CNWL  
Commercial mark(s) : ---
2. Type : WL-201  
Commercial description(s) : ---  
Version : ---
3. Sizes : XS 54, S 56, M 58, L 60, XL 61
4. Name of the manufacturer : Zhejiang Wanlong Plastics Co., Ltd.
5. Address of the manufacturer : Niubidong, Yuecheng Town,  
Yueqing City, Zhejiang Province,  
P.R. China
6. Name of the manufacturer's representative : not applicable
7. Address of the manufacturer's representative : not applicable
- Brief description of the helmet and / or<sup>1</sup> : Protective helmet equipped with visor for drivers and passengers of mopeds and motorcycles
- ~~Brief description of visor~~ : Clear visors, made of Polycarbonat (PC) with hardened coating on the surface, and a thickness of 2.2 mm, used for helmet without lower face cover for drivers and passengers of motorcycles and mopeds.

NOTE:

<sup>1</sup> strikethrough where not applicable

E13\*22R00\*22R05\*9282\*00

Société Nationale de Certification et d'Homologation

L-5201 SANDWEILER (Luxembourg)

Accréditation N° 5/001 (Portée communiquée sur demande)

Organisme accrédité OLAS EN 45011	Type	WL-201
	Page	2 of 16

# Zhejiang Wanlong Plastics Co., Ltd.

Information folder No. CNWL-WL-201-00

Application date: May 10, 2008

## ADDITIONAL INFORMATION

Helmet without lower face cover (J) / ~~with protective lower face cover (P) / with non protective lower face cover (NP)~~

Type of visor or visors : WL-01

~~Types of helmet to which the visor may be fitted~~

Name and address of assembly plant : Zhejiang Wanlong Plastics Co., Ltd.  
Niubidong, Yuecheng Town,  
Yueqing City, Zhejiang Province,  
P.R. China

Applicable regulation : ECE-R22, 05 series of amendments

### NOTE:

<sup>1</sup> strike through where not applicable

E13\*22R00\*22R05\*9282\*00

Société Nationale de Certification et d'Homologation

L-5201 SANDWEILER (Luxembourg)

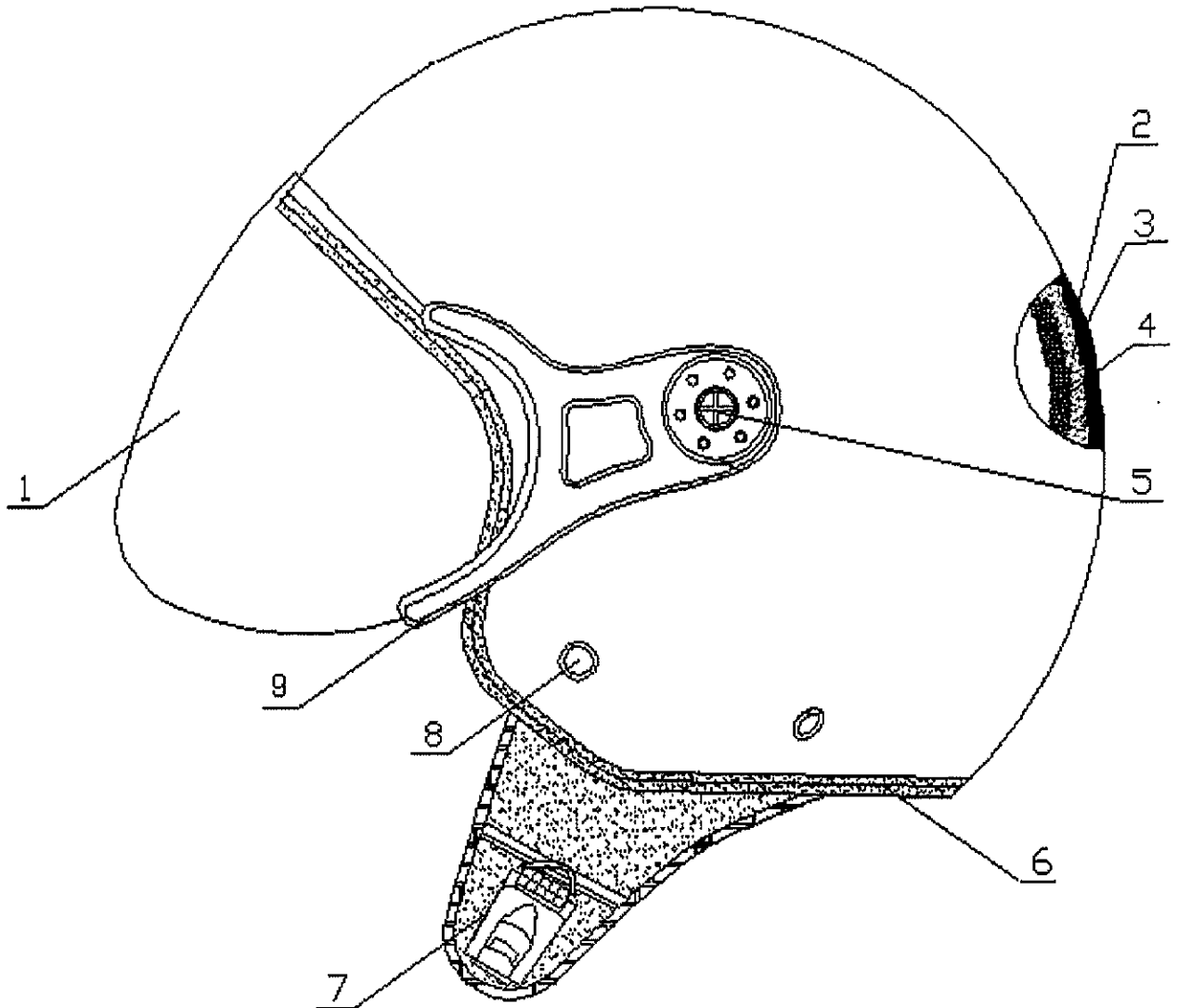
Accréditation N° 5/001 (Portée communiquée sur demande)

Organisme accrédité OLAS EN 45011	Type	WL-201
	Page	3 of 16

# Zhejiang Wanlong Plastics Co., Ltd.

Information folder No. CNWL-WL-201-00

Application date: May 10, 2008



E13\*22R00\*22R05\*9282\*00

Société Nationale de Certification et d'Homologation

L-5201 SANDWEILER (Luxembourg)

Organisme accrédité OLAS EN 45011

Accréditation N° 5/001 (Portée communiquée sur demande)

DRW.

WL-201-01

Assembly Drawing

Type WL-201

Page 4 of 16

# Zhejiang Wanlong Plastics Co., Ltd.

*Information folder No. CNWL-WL-201-00*

Application date: May 10, 2008

Part No.	Subject or name	Material
1	Visor	PC
2	Outer shell	ABS
3	Protective padding	EPS
4	Comfortable padding	Cloth + Foam
5	Screw	Aluminum
6	Rubber trim	PVC
7	Chin strap	Nylon
8	Rivet	Stainless steel
9	Base of visor	PC
<b>Material list of parts</b>		

E13\*22R00\*22R05\*9282\*00

Société Nationale de Certification et d'Homologation

L-5201 SANDWEILER (Luxembourg)

Organisme accrédité OLAS EN 45011

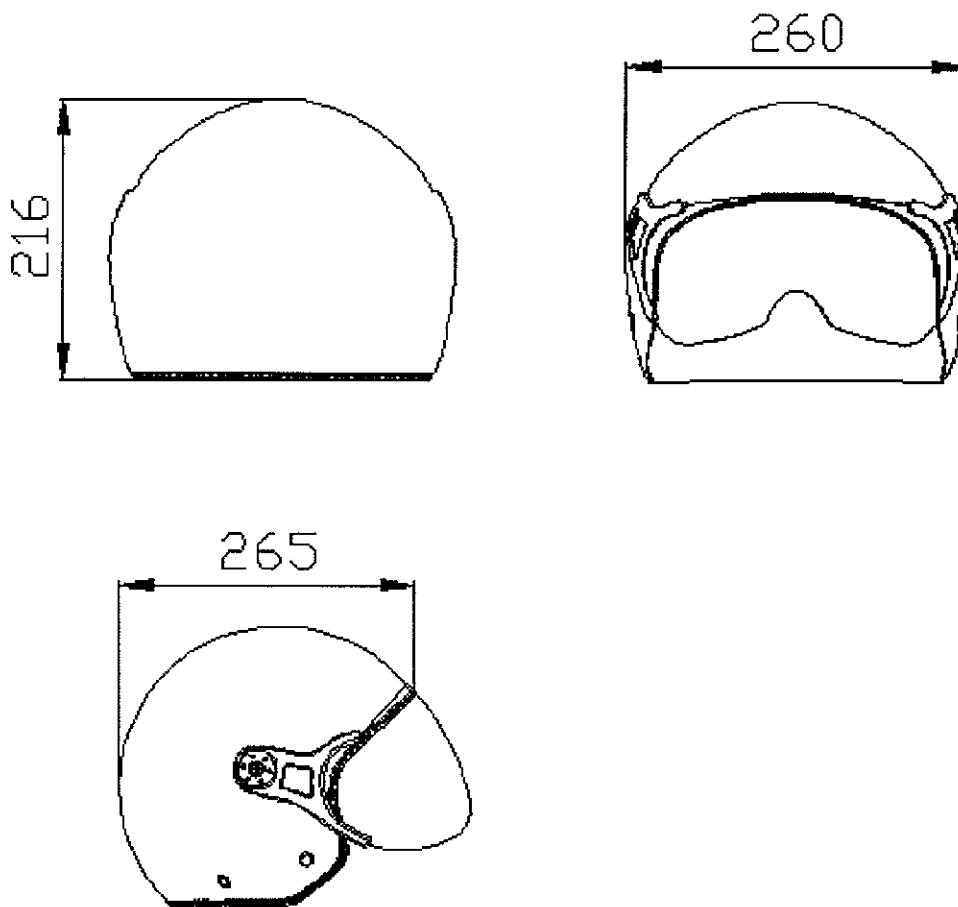
Accréditation N° 5/001 (Portée communiquée sur demande)

	Type	WL-201
	Page	5 of 16

# Zhejiang Wanlong Plastics Co., Ltd.

Information folder No. CNWL-WL-201-00

Application date: May 10, 2008



E13\*22R00\*22R05\*9282\*00

Société Nationale de Certification et d'Homologation

L-5201 SANDWEILER (Luxembourg)

Organisme accrédité OLAS EN 45011

Accréditation N° 5/001 (Portée communiquée sur demande)

DRW.

WL-201-02

Helmet section view

Type

WL-201

Page

6 of 16



# Zhejiang Wanlong Plastics Co., Ltd.

Information folder No. CNWL-WL-201-00

Application date: May 10, 2008

Impact absorption material thickness in millimeter, SHELL					
Size	Section B-Point	Section P-Point	Section R-Point	Section X-Point	Lower Face cover
XS	4.0	4.0	4.0	4.0	--
S	4.0	4.0	4.0	4.0	--
M	4.0	4.0	4.0	4.0	--
L	4.0	4.0	4.0	4.0	--
XL	4.0	4.0	4.0	4.0	--

Impact absorption material thickness in millimeter, LINER				
Size	Section B-Point	Section P-Point	Section R-Point	Section X-Point
XS	35.7	42	30	32
S	35.7	42	30	32
M	35.7	42	30	32
L	31.5	41	27	29
XL	31.5	41	27	29

Impact absorption material thickness in millimeter, LINING					
Size	Section B-Point	Section P-Point	Section R-Point	Section X-Point	Side Part Lining
XS	12	10	12	40	12
S	12	10	12	35	12
M	10	10	10	30	10
L	8	10	8	25	8
XL	6	10	16	20	6

E13\*22R00\*22R05\*9282\*00

Société Nationale de Certification et d'Homologation

L-5201 SANDWEILER (Luxembourg)

Organisme accrédité OLAS EN 45011

Accréditation N° 5/001 (Portée communiquée sur demande)

Type WL-201

Page 7 of 16

# Zhejiang Wanlong Plastics Co., Ltd.

Information folder No. CNWL-WL-201-00

Application date: May 10, 2008

## Dimension and weight

### 1. Dimension of the shell:

SIZE	Length (mm)	Width (mm)	Height (mm)
XS-XXL	265	260	216

### 2. Total weight of the helmet:

Size	Weight (g)	Tolerance (g)
XS	1000	±50
S	1000	±50
M	1000	±50
L	1000	±50
XL	1000	±50

### 3. Specific gravity of the impact absorption liner

Size	Specific gravity of size liner (kg/m <sup>3</sup> )	Specific gravity of side liner (kg/m <sup>3</sup> )	Specific gravity of crown liner (kg/m <sup>3</sup> )
XS	110g	---	22g
S	110g	---	22g
M	110g	---	22g
L	160g	---	22g
XL	160g	---	22g

E13\*22R00\*22R05\*9282\*00

Société Nationale de Certification et d'Homologation

L-5201 SANDWEILER (Luxembourg)

Organisme accrédité OLAS EN 45011

Accréditation N° 5/001 (Portée communiquée sur demande)

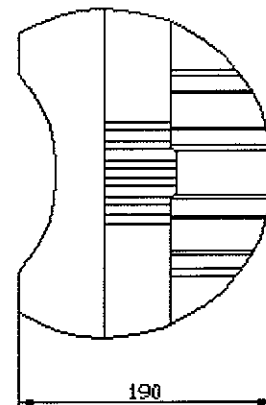
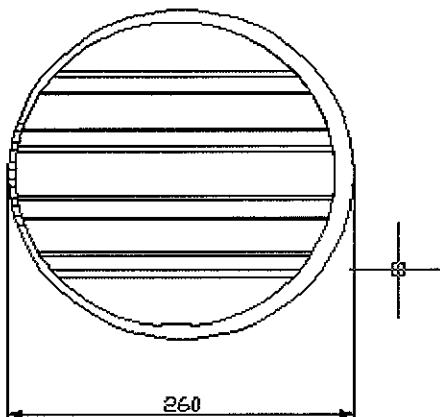
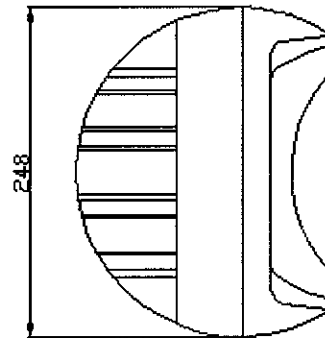
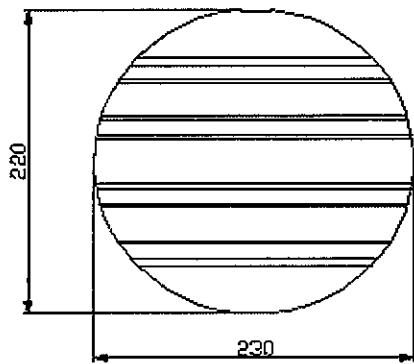
Type WL-201

Page 8 of 16

# Zhejiang Wanlong Plastics Co., Ltd.

Information folder No. CNWL-WL-201-00

Application date: May 10, 2008



E13\*22R00\*22R05\*9282\*00

Société Nationale de Certification et d'Homologation  
L-5201 SANDWEILER (Luxembourg)

Organisme accrédité OLAS EN 45011

Accréditation N° 5/001 (Portée communiquée sur demande)

DRW.

WL-201-03

EPS details

Type

WL-201

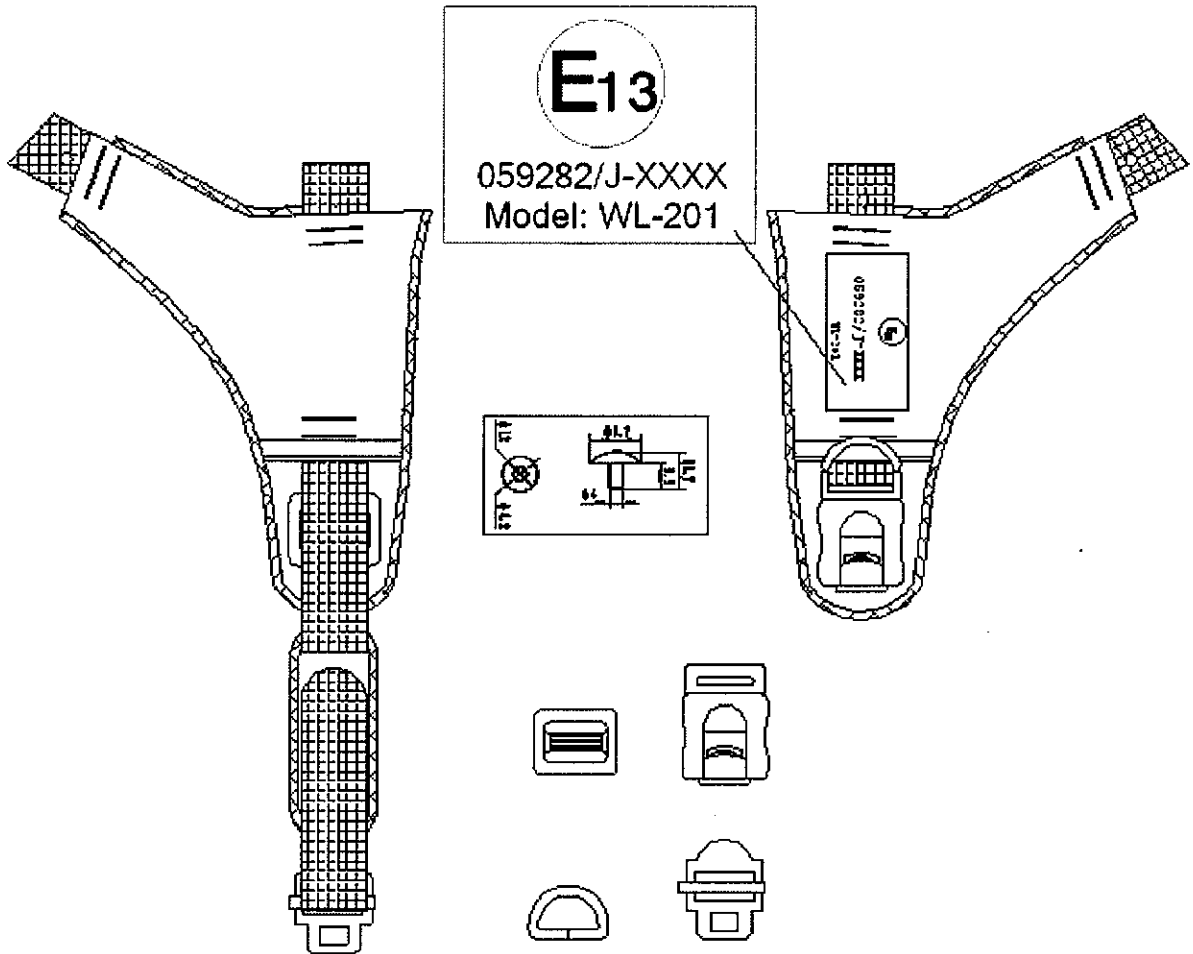
Page

9 of 16

# Zhejiang Wanlong Plastics Co., Ltd.

Information folder No. CNWL-WL-201-00

Application date: May 10, 2008



Part No.	Subject or name	Material
1	buckle	Iron
2	Sewing Line	Nylon
3	Chin strap	Nylon
<b>DRW.</b> E13*22R00*22R05*9282*00		<b>WL-201-04</b> <b>Retention system</b> <b>(with WL-02 buckle)</b>

Société Nationale de Certification et d'Homologation

L-5201 SANDWEILER (Luxembourg)

Organisme accrédité OLAS EN 45011

Accréditation N° 5/001 (Portée communiquée sur demande)

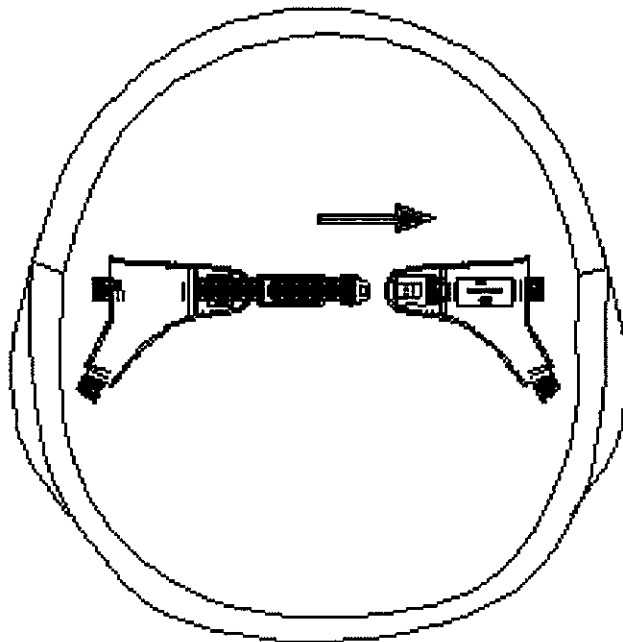
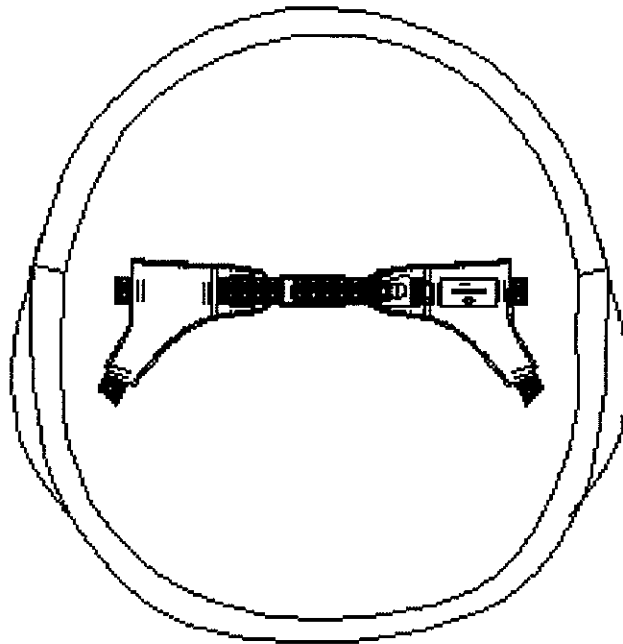
Type WL-201

Page 10 of 16

# Zhejiang Wanlong Plastics Co., Ltd.

Information folder No. CNWL-WL-201-00

Application date: May 10, 2008



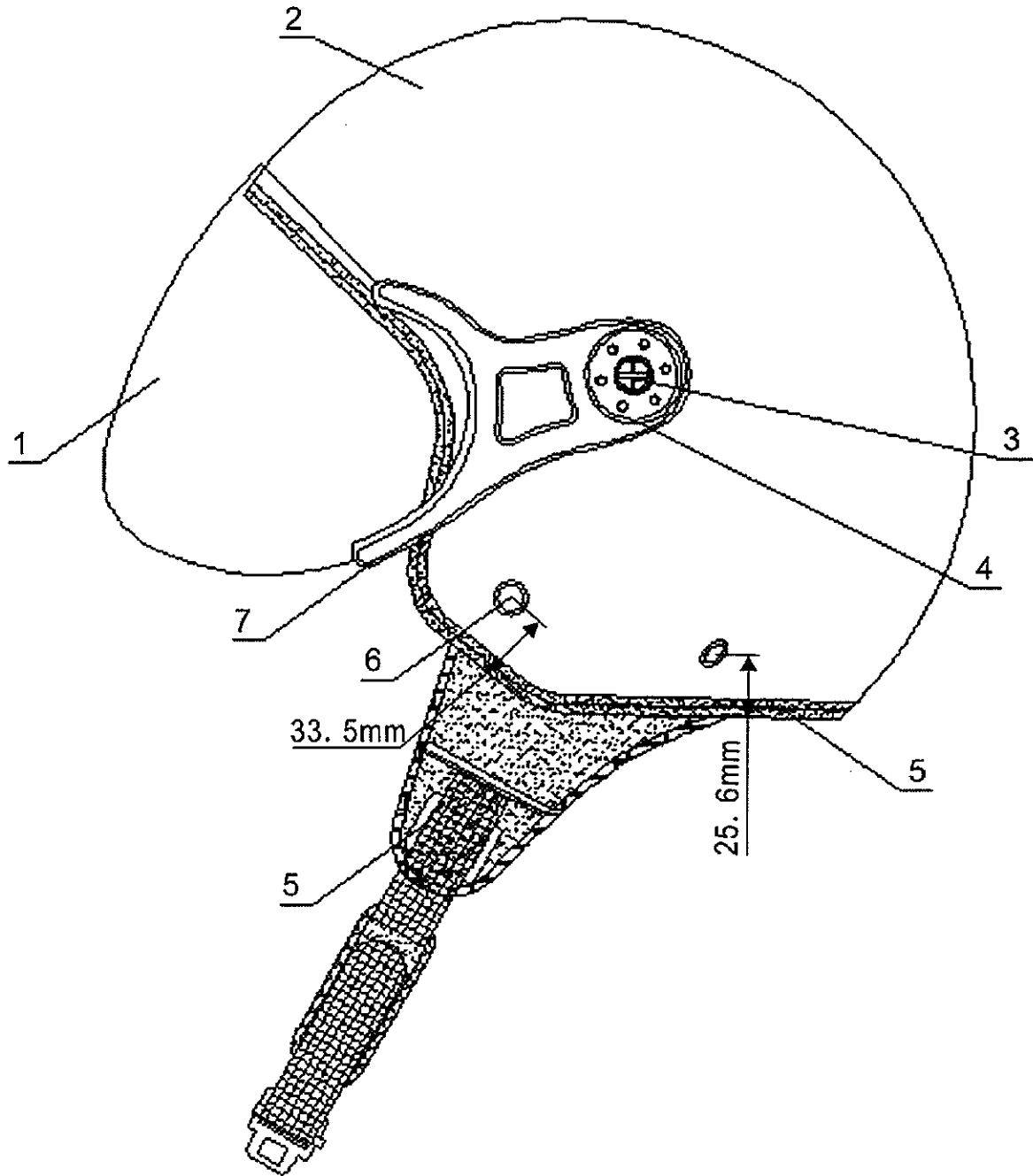
DRW.	WL-201-05	Retention system, chin strap operation
------	-----------	--

E13*22R00*22R05*9282*00	Type	WL-201
Société Nationale de Certification et d'Homologation L-5201 SANDWEILER (Luxembourg) Organisme accrédité OLAS EN 45011	Page	11 of 16

# Zhejiang Wanlong Plastics Co., Ltd.

Information folder No. CNWL-WL-201-00

Application date: May 10, 2008



DRW.	WL-201-06	Retention system, position details
------	-----------	------------------------------------

E13*22R00*22R05*9282*00	Type	WL-201
Société Nationale de Certification et d'Homologation L-5201 SANDWEILER (Luxembourg)	Page	12 of 16

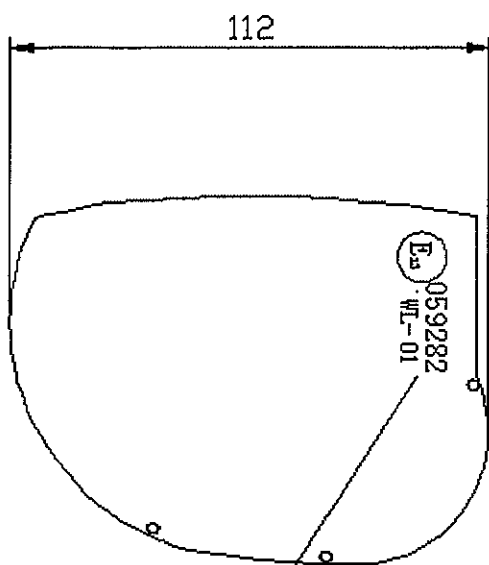
Organisme accrédité OLAS EN 45011

Accréditation N° 5/001 (Portée communiquée sur demande)

# Zhejiang Wanlong Plastics Co., Ltd.

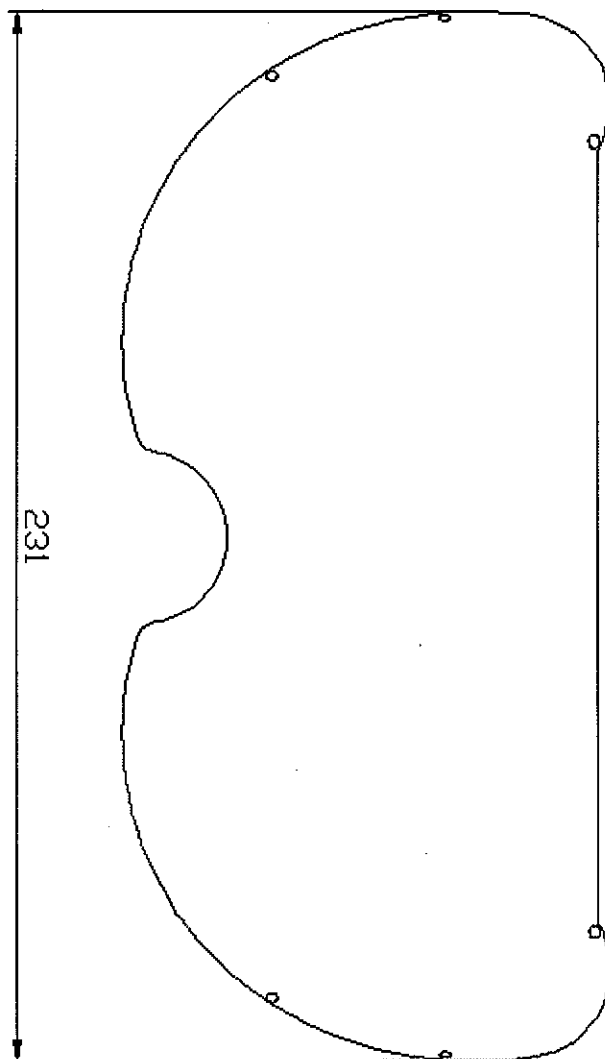
Information folder No. CNWL-WL-201-00

Application date: May 10, 2008



**E13** 059282  
WL-01

Remark:  
Thickness of visor: 2.2 mm



E13\*22R00\*22R05\*9282\*00

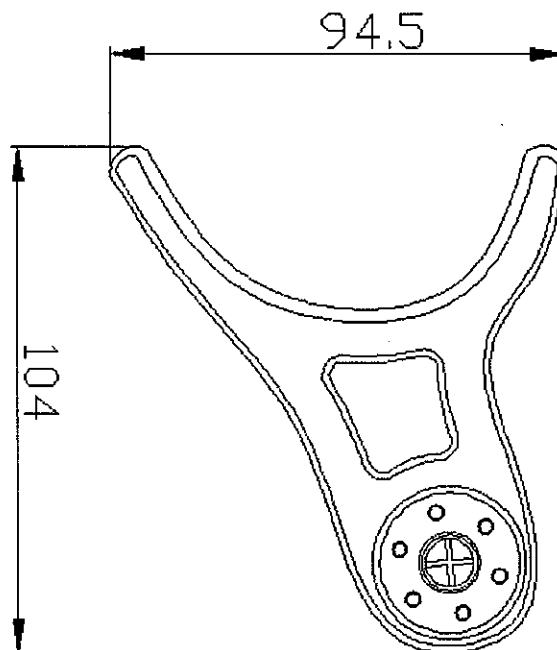
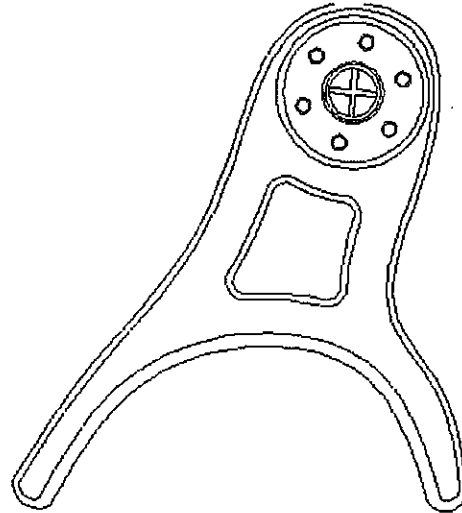
Société Nationale de Certification et d'Homologation  
L-5201 SANDWEILER (Luxembourg)  
Organisme accrédité OLAS EN 45011  
Accréditation N° 5/001 (Portée communiquée sur demande)

<b>DRW.</b>	<b>WL-201-07</b>	<b>Drawing and details for visor</b>
	Type	WL-201
	Page	13 of 16

# Zhejiang Wanlong Plastics Co., Ltd.

Information folder No. CNWL-WL-201-00

Application date: May 10, 2008



E13\*22R00\*22R05\*9282\*00

Société Nationale de Certification et d'Homologation  
L-5201 SANDWEILER (Luxembourg)

Organisme accrédité OLAS EN 45011

Accréditation N° 5/001 (Portée communiquée sur demande)

DRW.

WL-201-08

Drawing and details for  
visor

Type

WL-201

Page

14 of 16

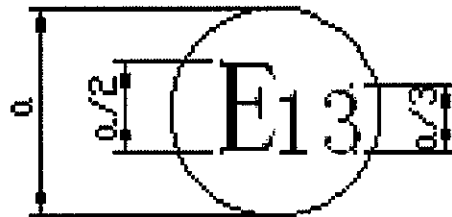


# Zhejiang Wanlong Plastics Co., Ltd.

Information folder No. CNWL-WL-201-00

Application date: May 10, 2008

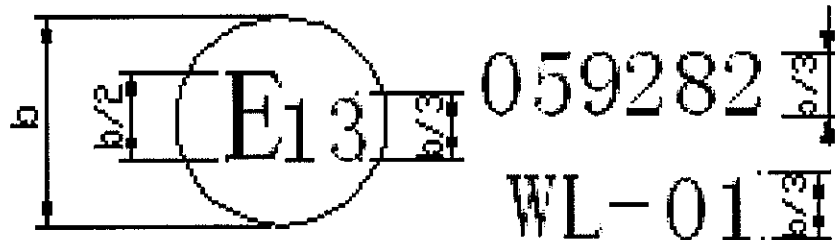
Approval mark of helmet:



059282/J-XXXX

WL-201

Approval mark of visor:



Remark: a = 8 mm; b = 8 mm.

E13\*22R00\*22R05\*9282\*00

DRW.

WL-201-09

Approval marking(s)

Société Nationale de Certification et d'Homologation

L-5201 SANDWEILER (Luxembourg)

Organisme accrédité OLAS EN 45011

Accréditation N° 5/001 (Portée communiquée sur demande)

Type

WL-201

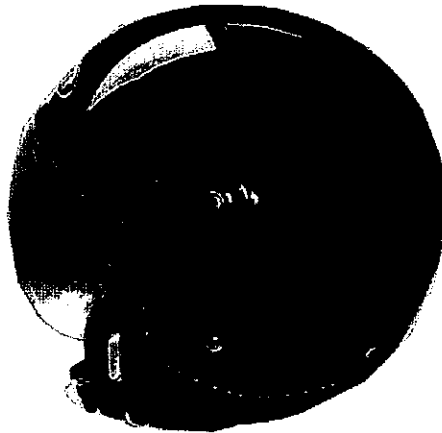
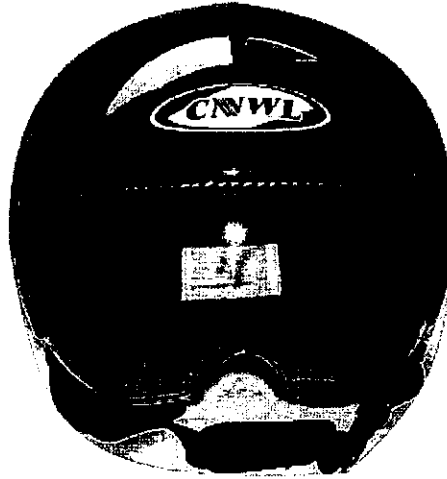
Page

15 of 16

# Zhejiang Wanlong Plastics Co., Ltd.

Information folder No. CNWL-WL-201-00

Application date: May 10, 2008



E13\*22R00\*22R05\*9282\*00

Société Nationale de Certification et d'Homologation

L-5201 SANDWEILER (Luxembourg)

Organisme accrédité OLAS EN 45011

Accréditation N° 5/001 (Portée communiquée sur demande)

DRW.	WL-201-10	Helmet assembly pictures
	Type	WL-201
	Page	16 of 16